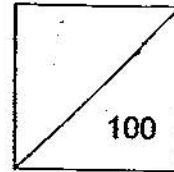




**HENRY PARK PRIMARY SCHOOL
2011 SEMESTRAL EXAMINATION 1
MATHEMATICS
PRIMARY 4**



Name: _____ ()

Parent's Signature _____

Class: Pr 4 _____

Duration of Paper: 1 h 45 min

Section A: (15 x 2 marks = 30 marks)

For each question, four options are given. One of them is the correct answer. Make your choice (1, 2, 3 or 4). Shade the correct ovals on the Optical Answer Sheet.

1. Sixty-two thousand and twelve written in numerals is _____.

- (1) 6012
- (2) 6212
- (3) 60 212
- (4) 62 012

()

2. Divide 3 208 by 8. The quotient is _____.

- (1) 41
- (2) 401
- (3) 410
- (4) 411

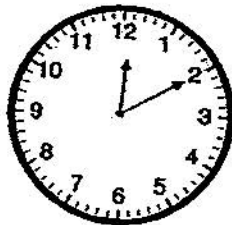
()

3. Express $3\frac{3}{8}$ as an improper fraction.

- (1) $\frac{9}{8}$
- (2) $\frac{14}{8}$
- (3) $\frac{17}{8}$
- (4) $\frac{27}{8}$

()

4. The time shown on the clock is 55 minutes faster than the actual time.



What is the actual time?

- (1) 11 05
- (2) 11 15
- (3) 12 55
- (4) 13 05

()

5. Look at the following letters shown below.

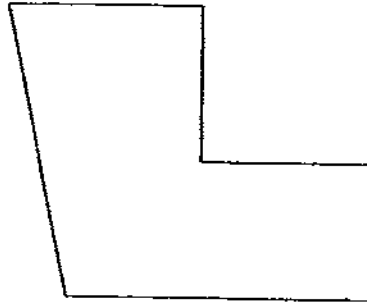
T I M E R

How many letter(s) has/have both perpendicular and parallel lines?

- (1) 1
- (2) 2
- (3) 3
- (4) 4

()

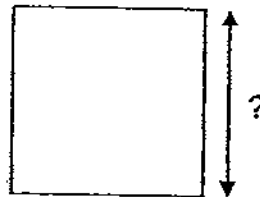
6. Study the diagram shown below, how many right angles are there inside the figure?



- (1) 5
(2) 6
(3) 3
(4) 4

()

7. The perimeter of the square shown below is 100 cm. What is the length of the square?



- (1) 10 cm
(2) 25 cm
(3) 40 cm
(4) 50 cm

()

8. Find the sum of the first 4 multiples of 6.

- (1) 10
(2) 24
(3) 60
(4) 84

()

9. There were 294 tourists who took the mini bus to Changi Airport. Each mini bus could take 13 tourists. What was the least number of mini buses needed to take all the tourists to Changi Airport?

- (1) 22
- (2) 23
- (3) 281
- (4) 3822

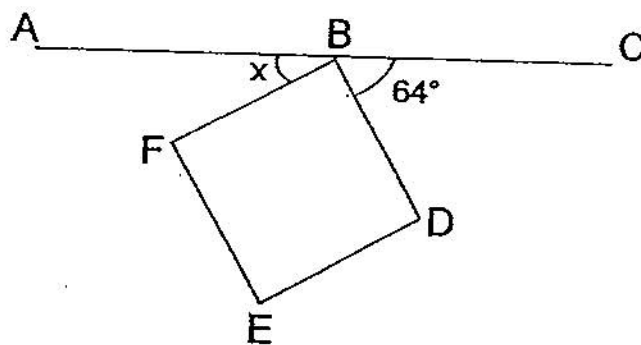
()

10. In a cinema, $\frac{1}{5}$ of the audience were women and the rest were men. There were 60 more men than women in the audience. How many people were there altogether?

- (1) 75
- (2) 100
- (3) 120
- (4) 300

()

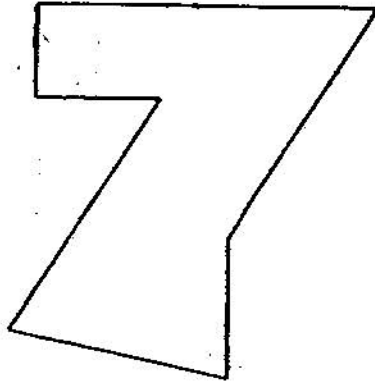
11. In the figure shown below, AC is a straight line and BDEF is a square. Find $\angle x$.



- (1) 26°
- (2) 64°
- (3) 71°
- (4) 154°

()

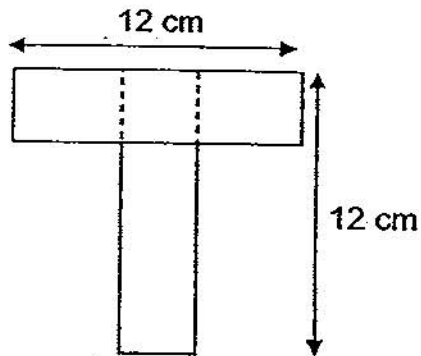
12. How many pair(s) of parallel lines is/are there in the figure shown below?



- (1) 1
- (2) 2
- (3) 3
- (4) 4

()

13. The figure below is made up of 2 identical pieces of rectangular paper which overlaps each other. Find the perimeter of the figure.



- (1) 24 cm
- (2) 36 cm
- (3) 48 cm
- (4) 60 cm

()

14. Mrs Chua bought 75 boxes of marbles. There were 60 marbles in each box. She repacked them into smaller packets of 7 marbles each. How many marbles were not packed?

- (1) 6
- (2) 2
- (3) 3
- (4) 4

()

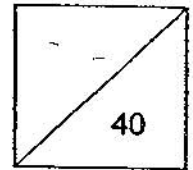
15. Mr Tan bought 5 kg of flour. He used $\frac{3}{4}$ kg of it to bake some muffins and $\frac{7}{8}$ kg of it to bake a cake. How much flour was left?

- (1) $3\frac{3}{8}$ kg
- (2) $4\frac{1}{4}$ kg
- (3) $4\frac{1}{8}$ kg
- (4) $4\frac{7}{8}$ kg

()

Name: _____ ()

Class: Pr 4 _____



Section B: (20 x 2 marks = 40 marks)

Read the questions carefully and write the correct answer in the boxes provided.

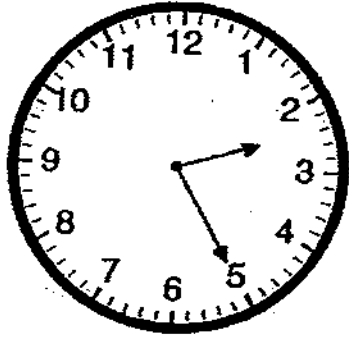
Show all workings clearly.

16. What is the least number of candies that can be shared equally by 3, 4 or 5 children?

17. What is $\frac{3}{8}$ of 18? Express your answer in the simplest form.

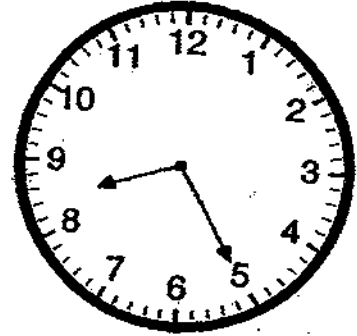
18. What is 2 h before 00 15 ?

19. The clocks below show the time difference in Turkey and Singapore.



Turkey

14 25 Monday 21 March

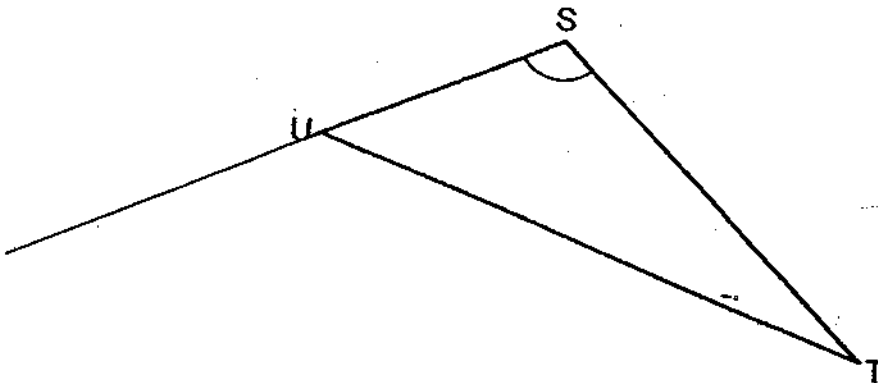


Singapore

20 25 Monday 21 March

When it is 11 40 in Singapore, what time is it in Turkey? Leave your answer in 12-hour clock.

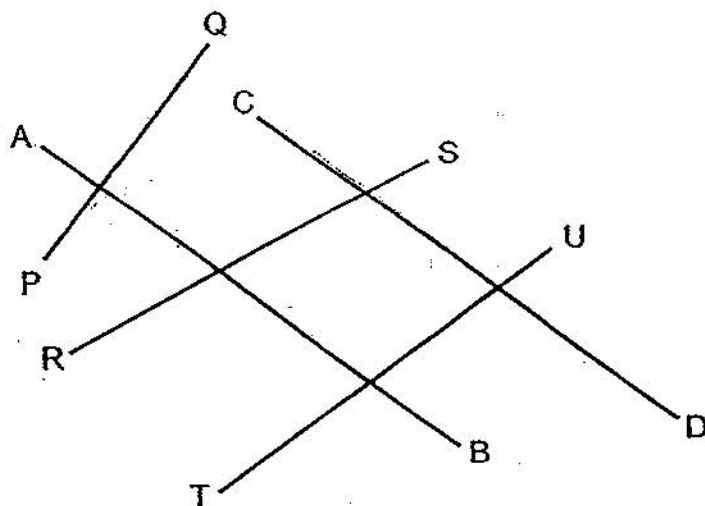
20. In the figure shown below, SUT is a triangle. Measure $\angle TSU$.



21. Using a set-square, ruler and pencil, draw a line parallel to the given line XY, passing through the point Z.



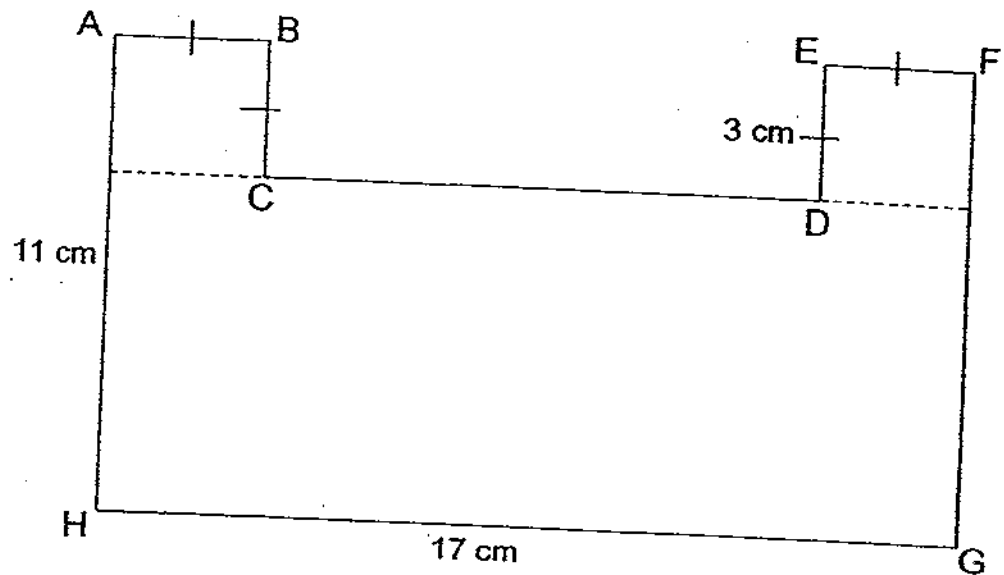
22. Identify (i) a pair of perpendicular lines and (ii) a pair of parallel lines.



(i) \perp

(ii) $//$

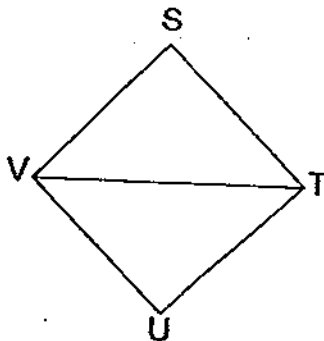
23. The composite figure shown below is made up of 2 identical squares and a rectangle.



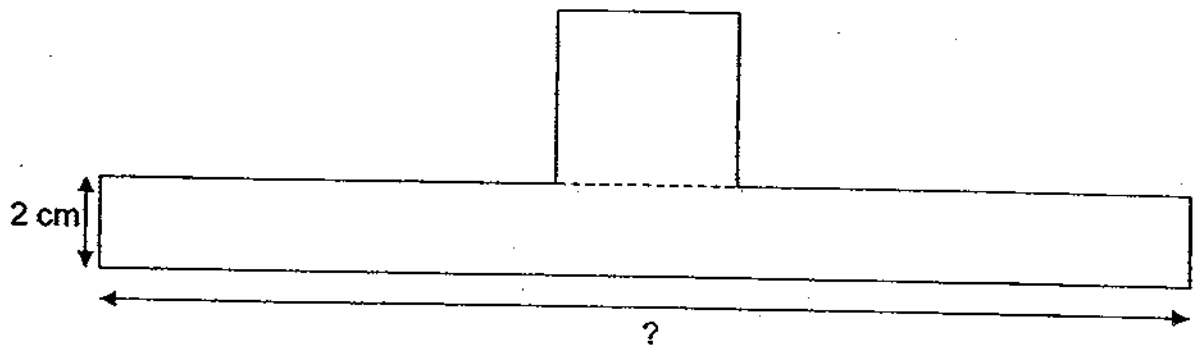
Find the length of CD.

 cm

24. In the figure, STUV is a square. Find the value of $\angle SVT$.


 °

25. The figure below is made up of a rectangle and a square. The area of the rectangle is thrice the area of the square. If the area of the square is 16 cm^2 and the breadth of the rectangle is 2 cm , find the length of the rectangle.

 cm

26. Round off the sum of $9\ 045$ and 382 to the nearest hundred.

27. The sum of the two numbers is 5206 and the difference between them is 148 . What is the smaller number?

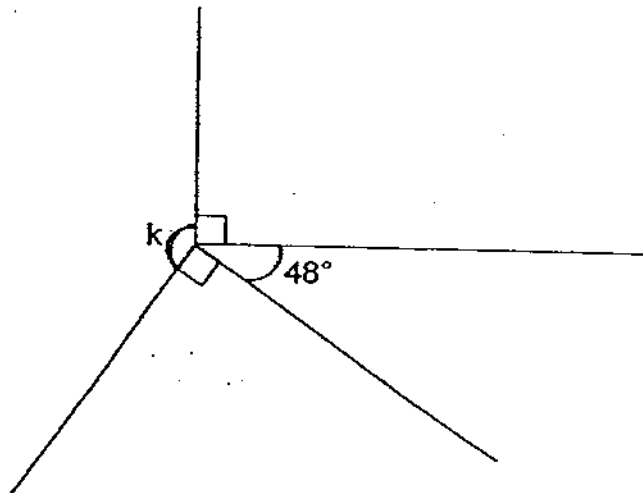
28. What is the difference between the smallest 4-digit number and the greatest 3-digit number?

29. Debbie is 16 years old now. In 3 years' time, her grandmother will be 4 times her age. How old is Debbie's grandmother now?

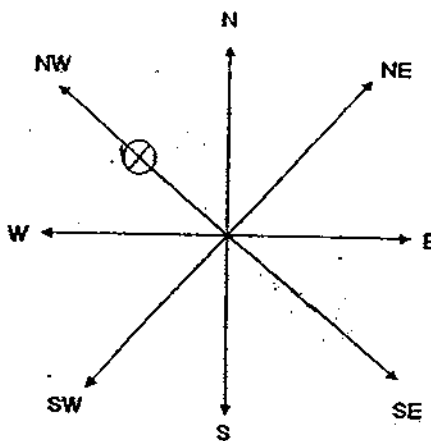
 years

30. Vanessa spent 40 min doing her Mathematics problem sums and the next 1 h 30 min writing her English composition. She completed her homework at 14 25. What time did she start doing her homework?

31. The figure below is not drawn to scale. Find the value of $\angle k$.

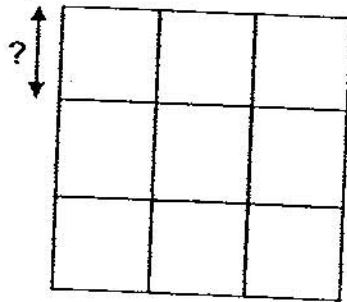


32. Jovan is facing North-west as shown in the diagram below. He makes a 225° anti-clockwise turn.

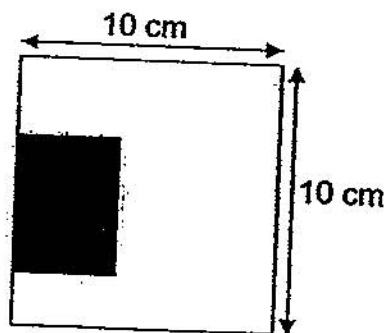


Which direction is he facing now?



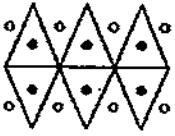
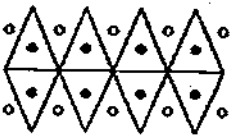
33. The figure below consists of 9 identical squares. The total area of the figure is 36 m^2 . Find the length of each square.


 m

34. The figure below is made up of a shaded rectangle inside a square. The length of the square is 10 cm and its area is 5 times the area of the shaded rectangle. What is the breadth of the shaded rectangle if its length is $\frac{1}{2}$ the length of the square?


 cm

35. Look at the patterns shown below.

	Pattern 1	Pattern 2	Pattern 3	Pattern 4 ...	Pattern 37
					
Black beads	2	4	6	8	
White beads	4	6	8	10	
Total beads	6	10	14	18	?

What is the total number of beads in pattern 37?